



Great for Low Voltage Irrigation Connections

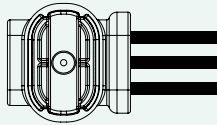


## INSTALLATION INSTRUCTIONS

**IMPORTANT:** Turn off power before installing or removing connector. Product to be used in accordance with local and national codes.

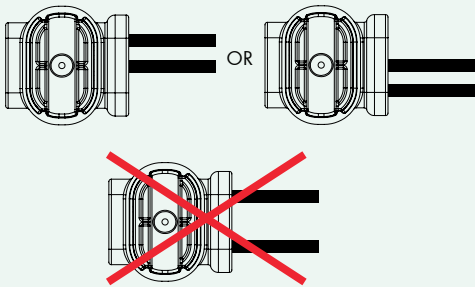
1. Insert conductor into port, fully seating conductor into port. One conductor per port only.
2. Using hand tool, press cap fully into housing. The cap will be flush or slightly below the edge of the housing.
3. Wipe excess sealant in and around conductors and ports. Do not reuse. *To be sold only with installation instructions.*

## THREE WIRE CONNECTION



## TWO WIRE CONNECTION

NOTE: When installing solid and stranded conductor, place stranded in center port.



## FEATURES AND BENEFITS

- Insulation displacement connector.
- Don't have to strip wires.

U.S. Pat. 9,496,626 and additional Patents Pending apply. All other trademarks, U.S. and Foreign Patents apply. All Rights Reserved.

## NS Connector (No Strip)

SKU#	Selling Unit
236632	Bag of 10

## PRODUCT SPECIFICATIONS AND MEASUREMENTS

Max. Voltage: 600V max. building wire (1000V max. signs or luminaries)

Connector Size: .99" x .95"

Wire Type: Copper/Copper (Solid/Stranded)

Wire Range: Min #22/Max #14\*

\*Not for use with 3 #14 AWG

Temperature Rating: 105°C (221°F)

Silicone Sealant Temperature: -45°F to 400°F

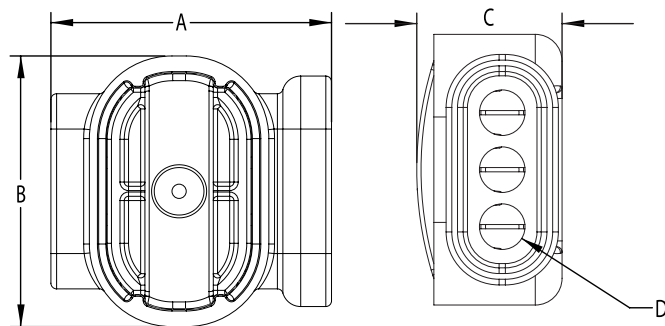
Housing Construction: Polycarbonate UV & Impact Resistant

Ingress Protection: IP-67

Manufacturer approved for low voltage (30V) wet, damp and direct bury applications

Measurements:

A- .99"	B- .95"	C- .51"	D- .16"
A- 25.1mm	B- 24.1mm	C- 13mm	D- 4.06mm



DO NOT REUSE.  
**MADE IN USA**  
 50100-116 REV B 03/18